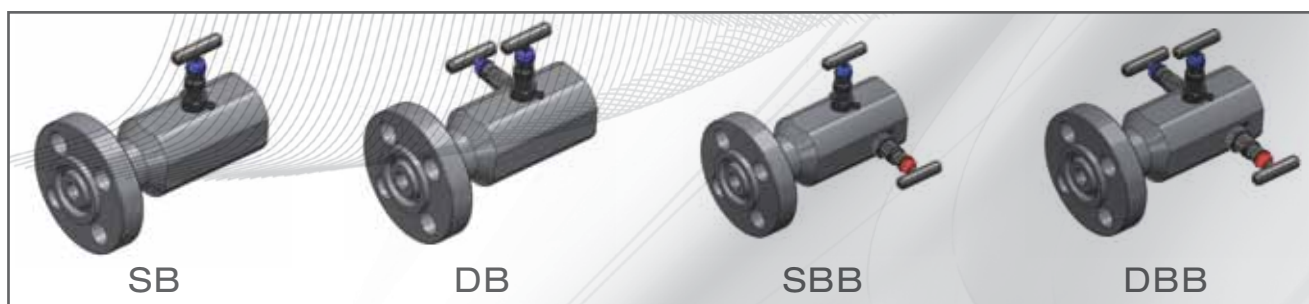


SB-DB-SBB-DBB a Spillo - Flangiate-Filettate SB-DB-SBB-DBB Needle Type - Flanged-Threaded

Mod. 137 ... 197



Applicazioni

Intercettazione e sfiato di strumenti di pressione (manometri, pressostati, trasmettitori, ecc.). Utilizzate per consentire un'installazione più compatta rispetto alle valvole tradizionali, particolarmente indicate in installazioni con presenza di vibrazioni.

Conessioni

Flangiate-Filettate secondo ANSI-ASME B1.20.1
ISO 228 - ISO 7/1

Rating

Secondo rating flangia

Tenute

Standard: PTFE ($T \leq 200^\circ \text{C}$)
Opzionale: Grafite ($T > 200^\circ \text{C}$)

Peculiarità

Otturatore svincolato dallo stelo
Spina di blocco del bonnet
Protezione antipolvere
Riduzione di tempi e costi d'installazione

Applications

Pressure instruments isolation and vent (gauges, switches, transmitters, etc.). Used as alternative to conventional manifold to permit a more compact installation, particular recommended in presence of vibration.

Connections

Flanged-Threaded to ANSI-ASME B1.20.1
ISO 228 - ISO 7/1

Rating

To flange rating

Seals

Standard: PTFE ($T \leq 200^\circ \text{C}$)
Optional: Graphite ($T > 200^\circ \text{C}$)

Features

Not rotating trim
Bonnet locking pin
Dust cup
Reduction of time and installation cost

Ingresso Flangiato Flanged Inlet		Uscita Filettata Threaded Outlet	Dimensioni Dimensions		Peso Weight	Ingresso Flangiato Flanged Inlet		Uscita Filettata Threaded Outlet	Dimensioni Dimensions		Peso Weight
DN	Rating	NPT - F	A (mm)	Ø B (mm)	Kg	DN	Rating	NPT - F	A (mm)	Ø B (mm)	Kg
1/2"	150 *	1/2" std	159	90	4,5	1"	900-1500	1/2" std	182	150	8,0
1/2"	300	1/2" std	161	95	5,0	1"	2500	1/2" std	189	160	10,0
1/2"	600	1/2" std	168	95	5,0	1 1/2"	150	1/2" std	165	125	6,0
1/2"	900-1500	1/2" std	176	120	6,0	1 1/2"	300	1/2" std	168	155	7,5
1/2"	2500	1/2" std	184	135	7,5	1 1/2"	600	1/2" std	176	155	7,5
3/4"	150 *	1/2" std	160	100	5,0	1 1/2"	900-1500	1/2" std	187	180	10,5
3/4"	300	1/2" std	163	115	5,5	1 1/2"	2500	1/2" std	198	205	16,0
3/4"	600	1/2" std	170	115	5,5	2"	150	1/2" std	166	150	7,0
3/4"	900-1500	1/2" std	179	130	7,0	2"	300	1/2" std	170	165	8,0
3/4"	2500	1/2" std	186	140	8,0	2"	600	1/2" std	179	165	8,5
1"	150	1/2" std	162	110	5,0	2"	900-1500	1/2" std	192	215	15,5
1"	300	1/2" std	165	125	6,0	2"	2500	1/2" std	205	235	22,0
1"	600	1/2" std	171	125	6,0	* solo versione RF / only RF version					

Come ordinare Ordering Information

Versione a spillo Needle Type

SB	13	Single Block
DB	14	Double Block
SBB	18	Single Block&Bleed
DBB	19	Double Block&Bleed

Connessioni IN Connections IN

D	1/2" FLANG.
E	3/4" FLANG.
F	1" FLANG.
H	1 1/2" FLANG.
J	2" FLANG.

*Sfiato / Vent

(solo per / only for SBB-DBB)

B	1/4" NPT-F
D	1/2" NPT-F (std)

Materiale Tenuta Seal material

T	PTFE (std)
G	Grafite / Graphite
X	A richiesta / On demand

Opzioni / Options

Vedere tabella / See table

DBB - 19

7

-

D

150RF

-

D

-

D

-

L

-

T

-

*

*

*

* NPT standard
Aggiungere / Add:
R = BSPT thread
G = BSPP thread
Es / Ex: DR = 1/2" BSPT

Flangia / Flange

150 RF
300 RF
600 RF
900/1500 RF
2500 RF
150 RJ
300 RJ
600 RJ
900/1500 RJ
2500 RJ

Materiali / Materials

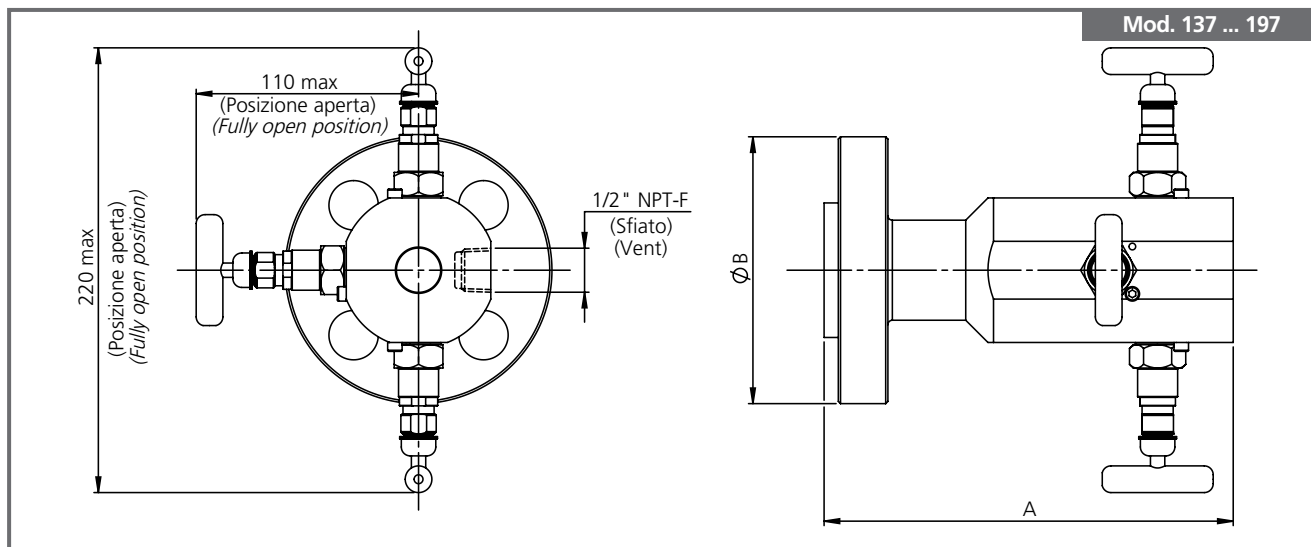
L	S.S. 316L
DL	S.S. 316 / 316L (Dual grade)
N	S.S. 316 Nace
C	C.S. A 105
LF2	C.S. A 350 LF2
D	Duplex F51
SD	Superduplex
M	Monel 400
X	A richiesta / On demand

Connessioni / Connections

7	Flangia-Filetto / Flange-Thread
---	---------------------------------

* Connessioni OUT Connections OUT

B	1/4" NPT-F
D	1/2" NPT-F (std)



Le dimensioni, espresse in "mm", sono indicative e possono subire variazioni senza preavviso. / Dimensions are in "mm" for reference only, and may be changed without notice.

Distributed By:



20 Regan Road, Unit 2
tel + 1 905 840 3482
sales@vintechltd.com

Brampton, Ontario CANADA L7A 1C3
fax + 1 905 840 0852
www.vintechltd.com