

SB-DB-SBB-DBB Ball Type - Flanged-Flanged

Mod. 598 ... 898



Applications:

- Pressure instruments isolation and vent (gauges, switches, transmitters, etc.).
- Used as alternative to conventional manifold to permit a more compact installation, where presence of vibration is of concern.

Connections:

- Flanged-Flanged

Rating:

- To flange rating

Seals (std: T -46 ÷ +200 °C):

- Ball: Peek, Bonnet: Graphite (standard)

Features:

- Bonnet with non rotating trim
- Bonnet locking pin
- Dust protection
- Reduction of time and installation cost

| Inlet / Outlet | | Dimensions | | Weight |
|----------------|----------|------------|----------|--------|
| DN | Rating | A (mm) | Ø B (mm) | Kg |
| 1/2" | 150 * | 222 | 90 | 7.0 |
| 1/2" | 300 | 236 | 95 | 7.5 |
| 1/2" | 600 | 252 | 95 | 7.5 |
| 1/2" | 900-1500 | 258 | 120 | 10.0 |
| 1/2" | 2500 | 274 | 135 | 13.0 |
| 3/4" | *150 | 226 | 100 | 7.5 |
| 3/4" | 300 | 242 | 115 | 8.5 |
| 3/4" | 600 | 256 | 115 | 8.5 |
| 3/4" | 900-1500 | 264 | 130 | 11.5 |
| 3/4" | 2500 | 278 | 140 | 14.0 |
| 1" | 150 | 238 | 110 | 8.0 |
| 1" | 300 | 246 | 125 | 9.5 |
| 1" | 600 | 260 | 125 | 9.5 |

| Inlet / Outlet | | Dimensions | | Weight |
|----------------|----------|------------|----------|--------|
| DN | Rating | A (mm) | Ø B (mm) | Kg |
| 1" | 900-1500 | 272 | 150 | 14.0 |
| 1" | 2500 | 284 | 160 | 17.0 |
| 1 1/2" | 150 | 246 | 125 | 9.5 |
| 1 1/2" | 300 | 252 | 155 | 12.0 |
| 1 1/2" | 600 | 268 | 155 | 12.5 |
| 1 1/2" | 900-1500 | 278 | 180 | 19.0 |
| 1 1/2" | 2500 | 302 | 205 | 29.5 |
| 2" | 150 | 248 | 150 | 11.5 |
| 2" | 300 | 248 | 165 | 13.5 |
| 2" | 600 | 268 | 165 | 14.5 |
| 2" | 900-1500 | 294 | 215 | 28.0 |
| 2" | 2500 | 320 | 235 | 41.5 |

* only RF version

Ordering Information

| Ball Type | | |
|-----------|----|----------------------|
| SB | 59 | Single Block |
| DB | 69 | Double Block |
| SBB | 79 | Single Block & Bleed |
| DBB | 89 | Double Block & Bleed |

| Connections IN-OUT | |
|--------------------|---------------|
| D | 1/2" FLANG. |
| E | 3/4" FLANG. |
| F | 1" FLANG. |
| H | 1 1/2" FLANG. |
| J | 2" FLANG. |

| * Vent (only for SBB-DBB) | |
|------------------------------|------------------|
| B | 1/4" NPT-F |
| D | 1/2" NPT-F (std) |

| Seal material | |
|---------------|-----------------------|
| PG | Peek / Graphite (std) |
| X | On demand |

Options
See table

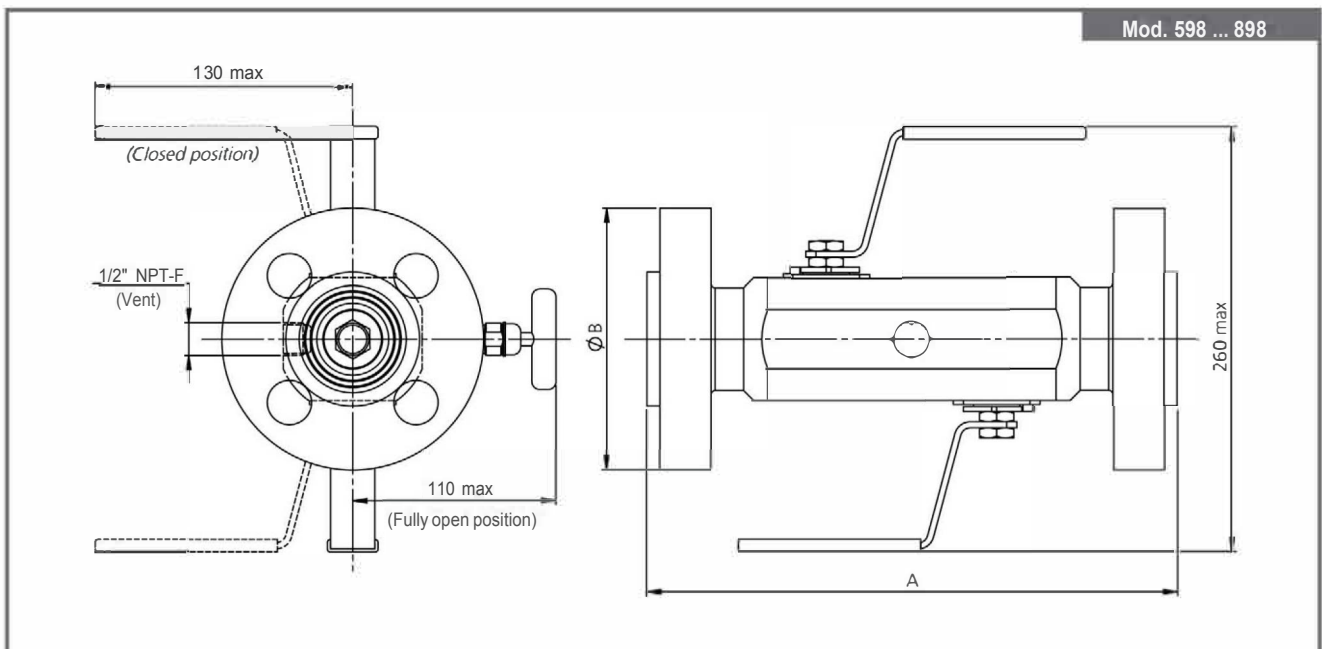
DBB - 89 8 - D 150RF - D - L - PG - * * *

* NPT standard
Add:
R = BSPT thread
G = BSPP thread Ex!
DR = 1/2" BSPT

| Connections | |
|-------------|---------------|
| 8 | Flange-Flange |

| Flange | |
|-------------|--|
| 150 RF | |
| 300 RF | |
| 600 RF | |
| 900/1500 RF | |
| 2500 RF | |
| 150 RJ | |
| 300 RJ | |
| 600 RJ | |
| 900/1500 RJ | |
| 2500 RJ | |

| Materials | |
|-----------|------------------------------|
| L | S.S. 316L |
| DL | S.S. 316 / 316L (Dual grade) |
| N | S.S. 316 Nace |
| C | C.S. A 105 |
| LF2 | C.S. A 350 LF2 |
| D | Duplex F51 |
| SD | Superduplex |
| M | Monel 400 |
| X | On demand |



Mod. 598 ... 898 - Rev. 2 - 04/2012

Dimensions are in "mm" for reference only, and may be changed without notice

Distributed By: **vintech**

20 Regan Road, Unit 2
tel + 1 905 840 3482
sales@vintechltd.com

Brampton, Ontario CANADA L7A 1C3
fax + 1 905 840 0852
www.vintechltd.com