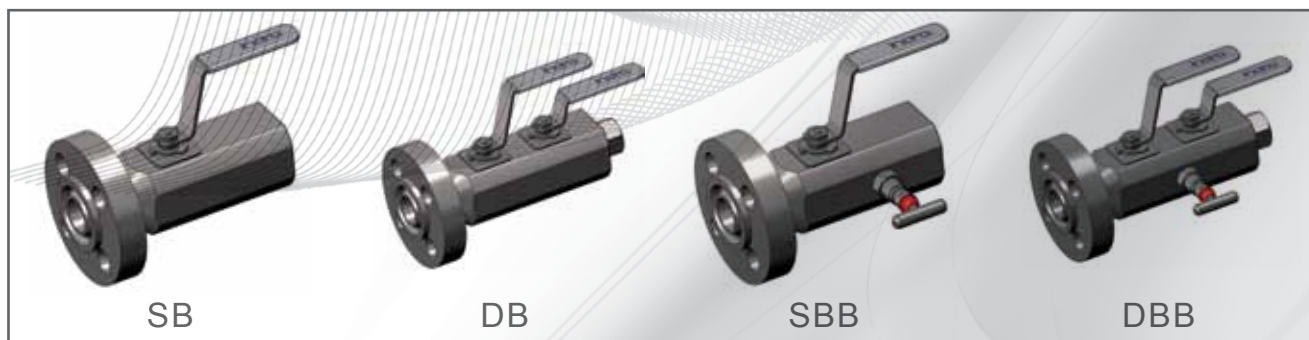


SB-DB-SBB-DBB Ball Type - Flanged-Threaded

Mod. 597 ... 897



Applications:

- Pressure instruments isolation and vent (gauges, switches, transmitters, etc.).
- Used as alternative to conventional manifold to permit a more compact installation, where presence of vibration is of concern.

Connections:

- Flanged-Threaded to ANSI-ASME B1.20.1, ISO 228 - ISO 7/1

Rating:

- To flange rating

Seals (std: T -46 ÷ +200 °C):

- Ball: Peek
- Bonnet: Graphite (standard)

Features:

- Bonnet with non rotating trim
- Bonnet locking pin
- Dust protection
- Reduction of time and installation cost

Flanged Inlet		Threaded Outlet	Dimensions			Weight	Flanged Inlet		Threaded Outlet	Dimensions			Weight
DN	Rating	NPT - F	A (mm)		Ø B	Kg	DN	Rating	NPT - F	A (mm)		Ø B	Kg
			SB / SBB	DB / DBB	(mm)					(mm)			
1/2"	150 *	1/2" std	153	205	90	6.0	1"	900-1500	1/2" std	178	230	150	9.5
1/2"	300	1/2" std	160	212	95	6.5	1"	2500	1/2" std	184	236	160	11.0
1/2"	600	1/2" std	168	220	95	6.5	1 1/2"	150	1/2" std	165	217	125	7.5
1/2"	900-1500	1/2" std	171	223	120	7.5	1 1/2"	300	1/2" std	168	220	155	8.5
1/2"	2500	1/2" std	179	231	135	9.0	1 1/2"	600	1/2" std	176	228	155	9.0
3/4"	150 *	1/2" std	155	207	100	6.5	1 1/2"	900-1500	1/2" std	181	233	180	12.0
3/4"	300	1/2" std	163	215	115	7.0	1 1/2"	2500	1/2" std	193	245	205	17.5
3/4"	600	1/2" std	170	222	115	7.0	2"	150	1/2" std	166	218	150	8.5
3/4"	900-1500	1/2" std	174	226	130	8.5	2"	300	1/2" std	166	218	165	9.5
3/4"	2500	1/2" std	181	233	140	9.5	2"	600	1/2" std	176	228	165	10.0
1"	150	1/2" std	161	213	110	6.5	2"	900-1500	1/2" std	189	241	215	16.5
1"	300	1/2" std	165	217	125	7.5	2"	2500	1/2" std	202	254	235	23.0
1"	600	1/2" std	172	224	125	7.5	* only RF version						

Ordering Information

Ball Type		
SB	59	Single Block
DB	69	Double Block
SBB	79	Single Block&Bleed
DBB	89	Double Block&Bleed

Connections IN	
D	1/2" FLANGE
E	3/4" FLANGE
F	1" FLANGE
H	1 1/2" FLANGE
J	2" FLANGE

* Vent (only for SBB-DBB)	
B	1/4" NPT-F
D	1/2" NPT-F (std)

Seal material	
PG	Peek / Graphite (std)
X	On demand

Options
See table



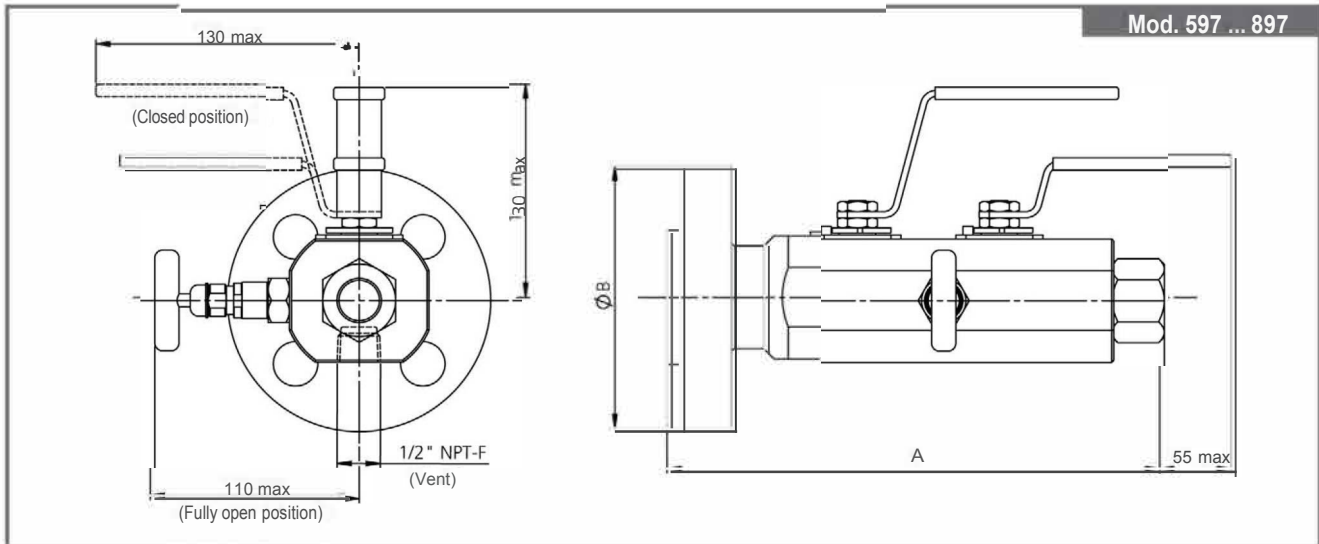
* NPT standard
Add:
R= BSPT thread
G = BSPP thread
Es/ Ex: DR= 1/2" BSPT

Flange	
150 RF	
300 RF	
600 RF	
900/1500 RF	
2500 RF	
150 RJ	
300 RJ	
600 RJ	
900/1500 RJ	
2500 RJ	

Materials	
L	S.S. 316L
DL	S.S. 316 / 316L (Dual grade)
N	S.S. 316 Nace
C	CS. A 105
LF2	CS. A 350 LF2
D	Duplex F51
SD	Superduplex
M	Monel 400
X	On demand

Connections	
7	Flange-Thread

Connections OUT	
D	1/2" NPT-F
X	On demand



Mod. 597 ... 897 • Rev. 2 - 04/2012

Dimensions are in "mm" for reference only, and may be changed without notice

Distributed By:



20 Regan Road, Unit 2
tel + 1 905 840 3482
sales@vintechltd.com

Brampton, Ontario CANADA L7A 1C3
fax + 1 905 840 0852
www.vintechltd.com