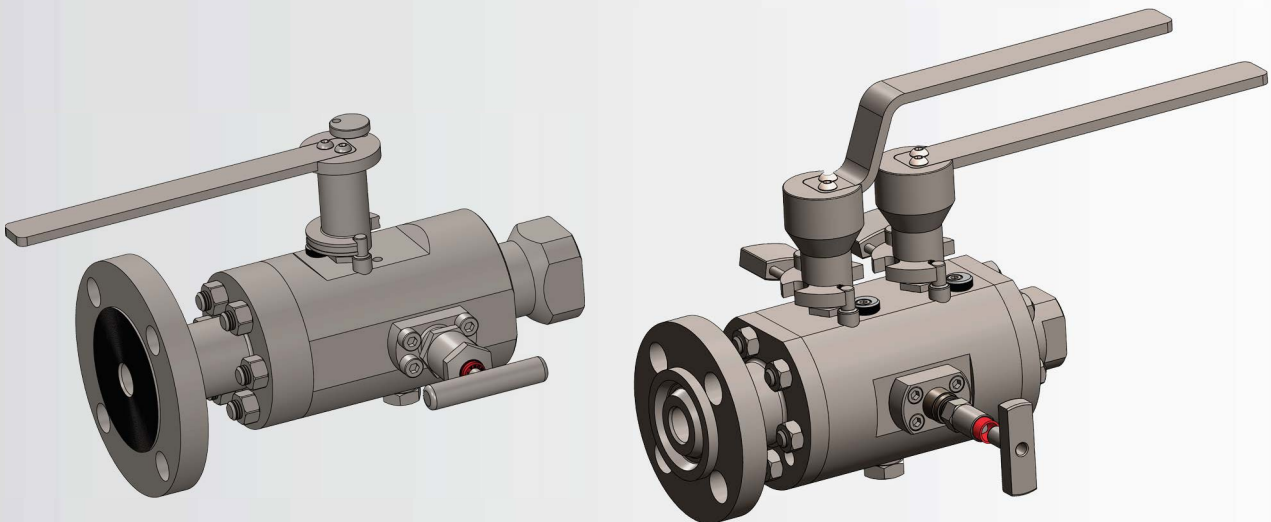


# Iblok Series Ball Type Valves Full Bore 597 FB ... 897 FB

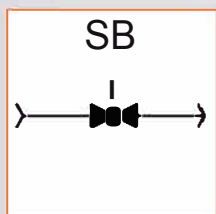
Iblok Series Valves are designed to replace conventional multiple-valve installations.

Iblok Series Valves Full Bore with floating ball allow several function as Single Block (SB), Double Block (DB), Single Block & Bleed (SBB) and Double Block & Bleed (DBB).

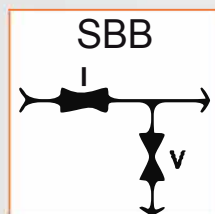
Suggested for mounting on vessels or process pipes.



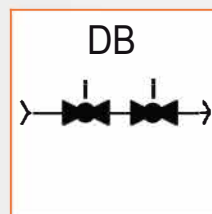
Single isolate



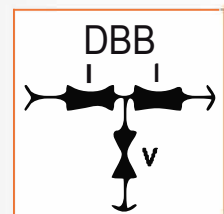
Single block & bleed



Double isolate



Double block & bleed



# SB-DB-SBB-DBB Ball Type Valve - Flanged-Threaded

## Full Bore 597 FB ... 897 FB

### Applications:

- Piping pressure isolation.
- Used as alternative to conventional valve to permit a more compact installation, where presence of vibration is of concern.

### Connections:

- Flanged-Threaded
- Asme / Ansi B16.5 / B1.20.1

### Rating:

- To flange rating

### Seals (std: T -46 ÷ +200 °C):

- Ball: Peek
- Bonnet: Graphite (standard)

Flanged Inlet		Threaded Outlet		Dimensions				Weight		Flanged Inlet		Threaded Outlet		Dimensions				Weight	
DN	Rating	NPT - F		A (mm)		Ø B	FULL BORE (DN)	SB SB&B	DB DB&B	DN	Rating	NPT - F		A (mm)		Ø B	FULL BORE (DN)	SB SB&B	DB DB&B
		SB SB&B	DB DB&B	SB SB&B	DB DB&B							SB SB&B	DB DB&B						
3/4"	150*	3/4"	std	288.5	328.5	100	19	12	15	1-1/4"	900-1500	1-1/4"	348	388	160	32	34	40	
3/4"	300	3/4"	std	293	333	115	19	13	16	1-1/4"	2500	1-1/4"	374	414	185	32	46	54	
3/4"	600	3/4"	std	303	343	115	19	13	16	1-1/2"	150	1-1/2"	307	347	125	38	26	33	
3/4"	900-1500	3/4"	std	310.5	350.5	130	19	15	18	1-1/2"	300	1-1/2"	314	354	155	38	28	35	
3/4"	2500	3/4"	std	323	363	140	19	19	23	1-1/2"	600	1-1/2"	321	361	155	38	29	36	
1"	150	1"		288,5	328,5	110	25	12	15	1-1/2"	900-1500	1-1/2"	348	388	180	38	34	40	
1"	300	1"		293	333	125	25	13	16	1-1/2"	2500	1-1/2"	374	414	205	38	46	54	
1"	600	1"		303	343	125	25	13	16	2"	150	2"	365	395	150	50	36	42	
1"	900-1500	1"		310.5	350.5	150	25	15	18	2"	300	2"	373	403	165	50	38	44	
1"	2500	1"		323	363	160	25	19	23	2"	600	2"	386	416	165	50	40	46	
1-1/4"	150	1-1/4"		307	347	115	32	26	33	2"	900-1500	2"	412,5	442,5	215	50	48	54	
1-1/4"	300	1-1/4"		314	354	135	32	28	35	2"	2500	2"	438	468	235	50	72	80	
1-1/4"	600	1-1/4"		321	361	135	32	29	36	*only RF version									

# Ordering Information

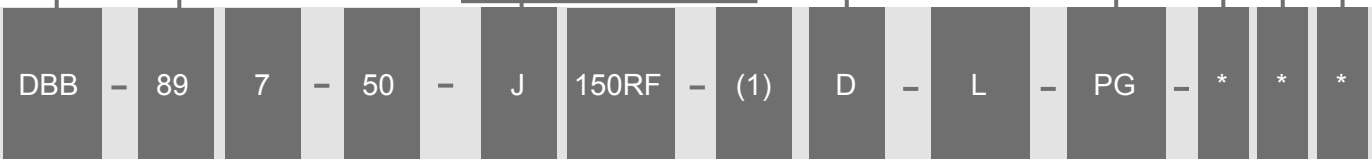
Needle Type		
SB	59	Single Block
DB	69	Double Block
SBB	79	Single Block&Bleed
DBB	89	Double Block&Bleed

Connections IN / OUT	
D	1/2" FLANGE / 1/2" NPT-F
E	3/4" FLANGE / 3/4" NPT-F
F	1" FLANGE / 1" NPT-F
H	1 1/2" FLANGE / 1 1/2" NPT-F
J	2" FLANGE / 2" NPT-F
X	On demand

*Vent (only for SBB-DBB)	
B	1/4" NPT-F
D	1/2" NPT-F (std)

Seal material	
PG	Peek / Graphite (std)
X	On demand

Options See table



\* NPT standard  
Add:  
R = BSPT thread  
G = BSPP thread  
Ex: DR = 1/2"  
BSPT

Bore size	
15	DN 15
20	DN 20
25	DN 25
32	DN 32
40	DN 40
50	DN 50

Flange	
150 RF	
300 RF	
600 RF	
900/1500 RF	
2500 RF	
150 RTJ	
300 RTJ	
600 RTJ	
900/1500 RTJ	
2500 RTJ	

Materials	
C	C.S. A 105
DLN	S.S. 316 / 316L Nace (Dual grade)
M400	Monel 400
F51	Duplex F51
F53	Super-duplex F53
F55	Super-duplex F55
I625	Inconel 625
I825	Inconel 825
C276	Hastelloy C276
L52	C.S. A350LF2 (Low Temperature)
X	On demand

Connections	
7	Flange-Thread

Reduced bore option (select required DN)

