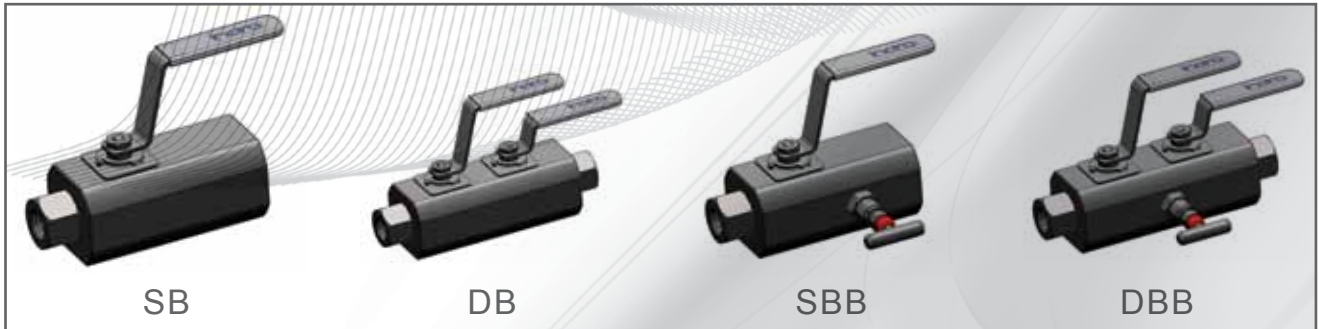


# SB-DB-SBB-DBB Ball Type - Threaded

Mod. 590-1 ... 890-1



### Applications:

- Pressure instruments isolation and vent (gauges, switches, transmitters, etc.).
- Used as alternative to conventional manifold to permit a more compact installation, where presence of vibration is of concern.

### Connections:

- Threaded to ANSI-ASME B1.20.1, ISO 228 - ISO 7/1

### Rating:

- Standard: 6,000 PSI (420 bar) (-46 / +200 °C)

### Seals (std: T -46 ÷ +200 °C):

- Ball: Peek
- Bonnet: Graphite (standard)

### Features:

- Bonnet with non rotating trim
- Bonnet locking pin
- Dust protection
- Reduction of time and installation cost

Inlet	Outlet	Connections	Dimensions		Weight
			A (mm)		
NPT	NPT	FxF / MxF	SB / SBB	DB / DBB	Kg
1/2"	1/2"	FxF MxF	153 173	205 225	5.5
3/4"	3/4"	FxF MxF	156 176	211 231	6.0
1"	1"	FxF MxF	161.5 181.5	222 242	6.5

# Ordering Information

Ball Type		
SB	59	Single Block
DB	69	Double Block
SBB	79	Single Block&Bleed
DBB	89	Double Block&Bleed

Connections IN	
D	1/2" NPT
E	3/4" NPT
F	1" NPT

* Vent (only for SBB-DBB)	
B	1/4" NPT-F
D	1/2" NPT-F (std)

Seal material	
PG	Peek / Graphite (std)
X	On demand

Options  
See table

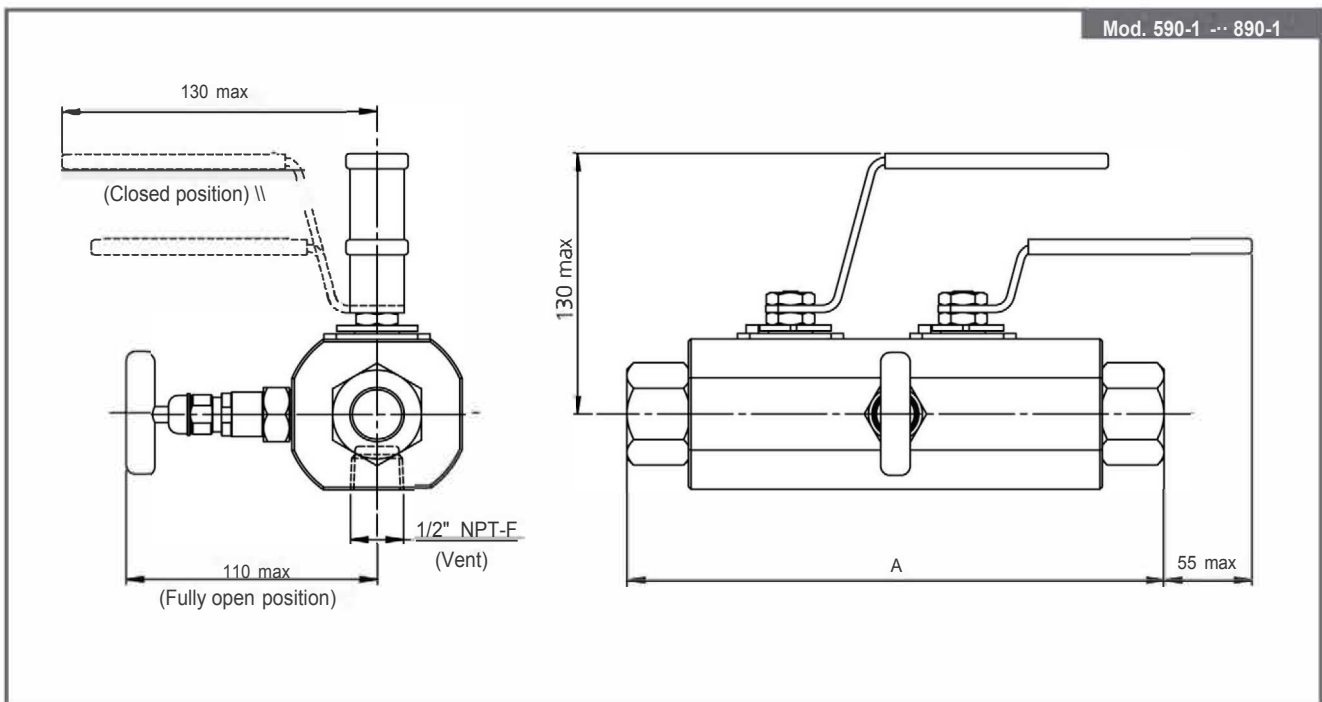


\* NPT standard  
Add:  
R= BSPT thread  
G= BSPP thread  
Es/ Ex: DR= 1/2" BSPT

Connections	
0	Thread FxF
1	Thread MxF

Connections OUT	
D	1/2"
E	3/4"
F	1"

Materials	
L	S.S. 316L
DL	S.S. 316 / 316L (Dual grade)
N	S.S. 316 Nace
C	C.S. A 105
LF2	C.S. A 350 LF2
D	Duplex F51
SD	Superduplex
M	Monel 400
X	On demand



Mod. 590-1 ... 890-1 \* Rev. 2 - 04/2012

Dimensions are in "mm" for reference only, and may be changed without notice

Distributed By:



20 Regan Road, Unit 2  
tel + 1 905 840 3482  
sales@vintechltd.com

Brampton, Ontario CANADA L7A 1C3  
fax + 1 905 840 0852  
www.vintechltd.com

# Options

-H	-L	-P					Availability			
							Needle Valves	Manifolds	Monoflanges	Ball Valves
A	Antitamper Actuator					✓	✓	✓	✓	
B	Bolted Bonnet					✓		✓	✓	
F	Oval Flange						✓			
G	Graphite seals					✓	✓	✓	✓	
H	Rating 10.000 PSI (²)					✓	✓			
K1	Mechanical Electrical Contact								✓	
K2	Magnetic Electrical Contact								✓	
KG	Graphite bonnet seals replacement kit					✓	✓	✓	✓	
KT	PTFE bonnet seals replacement kit					✓	✓	✓	✓	
L	Locking Device					✓		✓	✓	
O	Oxygen Service					✓	✓	✓	✓	
P	Padlock					✓		✓	✓	
Q	Quick Locking Device					✓	✓	✓	✓	
R	Swivelling Fitting					✓		✓	✓	
Y	Bonnet O.S.&Y.					✓		✓	✓	
TV	Painting Treatment					✓	✓	✓	✓	
TF	Phosphatization Treatment (¹)					✓	✓	✓	✓	
TZ	Zinc Plating Treatment (¹)					✓	✓	✓	✓	
U45-V	7/16" UNF L=45 mm screws and nuts kit (2 screws - 2 nuts) for 2 valves manifold						✓			
U75-2V	7/16" UNF L=75 mm screws and nuts kit (2 screws - 2 nuts) for 2 valves manifold						✓			
U45-3/5V	7/16" UNF L=45 mm screws and nuts kit (4 screws - 4 nuts) for 3 and 5 valves manifold						✓			
U75-3/5V	7/16" UNF L=75 mm screws and nuts kit (4 screws - 4 nuts) for 3 and 5 valves manifold						✓			
W	2" Pipe bracket						✓			
AT	Atex Version					✓	✓	✓	✓	
GR	Gost R Version					✓	✓	✓	✓	
FS	Fire Safe Version					✓	✓	✓	✓	
TA	Fugitive Emission TA-LUFT Version					✓	✓	✓	✓	
CRN	CURRENT CRN COMPLIANCE FOR 10 CANADIAN PROVINCES					✓	✓	✓	✓	

(1) For carbon steel versions only.

(2) For flanged, BW, SW versions operating limits as for reference rules.

X = NOT CODED OPTION

For DB, SBB, DBB valves, repeat option code as many times as requested.  
 If you don't find options you need, please feel free to contact our sales Department  
 Ex: mod. 739R-DD-S-T-A-A-A = 2 Block + 1 Bleed bonnet Anti-tamper

# Options

-H	-L	-P					Availability			
							Needle Valves	Manifolds	Monoflanges	Ball Valves
<b>IDX</b>	Vent Bottom Right						✓			
<b>ISX</b>	Vent Bottom Left						✓	✓	✓	
<b>M</b>	Monel Trim					✓	✓	✓	✓	
<b>SPC 1</b>	Special Marking - See descriptor					✓	✓	✓	✓	
<b>DIN 7756</b>	Inlet Special Insert 1/8" NPT-M x DIN 7756 VG 8					✓	✓	✓	✓	
<b>2.0515 /DN15</b>	Special DN15 marking requirement					✓	✓	✓	✓	
<b>3-G-GR -CUTR</b>	GOST & CU-TR Certificate					✓	✓	✓	✓	
<b>X</b>	Not Coded Option					✓	✓	✓	✓	
?	?					✓	✓	✓	✓	
?	?					✓	✓	✓	✓	
?	?					✓	✓	✓	✓	
?	?					✓	✓	✓	✓	
?	?					✓	✓	✓	✓	
?	?					✓	✓	✓	✓	
?	?					✓	✓	✓	✓	
?	?					✓	✓	✓	✓	
?	?					✓	✓	✓	✓	
?	?					✓	✓	✓	✓	
?	?					✓	✓	✓	✓	
?	?					✓	✓	✓	✓	
?	?					✓	✓	✓	✓	
?	?					✓	✓	✓	✓	
?	?					✓	✓	✓	✓	
?	?					✓	✓	✓	✓	
?	?					✓	✓	✓	✓	
?	?					✓	✓	✓	✓	
?	?					✓	✓	✓	✓	
?	?					✓	✓	✓	✓	
?	?					✓	✓	✓	✓	
?	?					✓	✓	✓	✓	
?	?					✓	✓	✓	✓	

(1) For carbon steel versions only.

(2) For flanged, BW, SW versions operating limits as for reference rules.

For DB, SBB, DBB valves, repeat option code as many times as requested.  
 If you don't find options you need, please feel free to contact our sales Department  
 Ex: mod. 739R-DD-S-T-A-A-A = 2 Block + 1 Bleed bonnet Anti-tamper