

SB-DB-SBB-DBB Ball Type - Welding BW&SW

Models **592-593-594-595-596-692-693-694-695-696-792-793-794-795-796-892-893-894-895-896**



Applications:

- Pressure instruments isolation and vent (gauges, switches, transmitters, etc.).
- Used as alternative to conventional manifold to permit a more compact installation, where presence of vibration is of concern.

Connections:

- Welding BW or SW
- Threaded to ANSI-ASME B1.20.1, ISO 228 - ISO 7/1

Rating:

- To pipe schedule rating

Seals (std: T -46 ÷ +200 °C):

Ball: Peek

Bonnet: Graphite (standard)

Features:

Bonnet with non rotating trim

Bonnet locking pin

Dust protection

Reduction of time and installation cost

Inlet	Outlet	Dimensions		Weight
		A (mm)		
BW / SW	NPT - F	SB / SBB	DB / DBB	Kg
1/2"	1/2" std	228	280	6.5
3/4"	1/2" std	228	280	6.5
1"	1/2" std	228	280	6.5

Ordering Information

Models 592-593-594-595-596-**692-693-694-695-696**-792-793-794-795-796-**892-893-894-895-896**

Ball Type		
SB	59	Single Block (B)
DB	69	Double Block (BB)
SBB	79	Single Block&Bleed (BN)
DBB	89	Double Block&Bleed (BNB)

Connections IN	
D	1/2" FLANGE
E	3/4" FLANGE
F	1" FLANGE
H	1 1/2" FLANGE
J	2" FLANGE

*Vent (only for SBB-DBB)	
B	1/4" NPT-F
D	1/2" NPT-F (std)

Seal Material	
PG	Peek / Graphite (std)
X	On demand

Material in Acc.	
K	NORSOK
N	NACE

Options See Table

DBB - 89 2 - 20 - SW80 - F - F - D - C - DL - N - PG - L12 - FS

* NPT standard
Add:
R = BSPT thread
G = BSPP thread
Ex: DR = 1/2" BSPT

Bore	
DN 15	
DN 20	
DN 25	
DN 32	
DN 40	
DN 50	

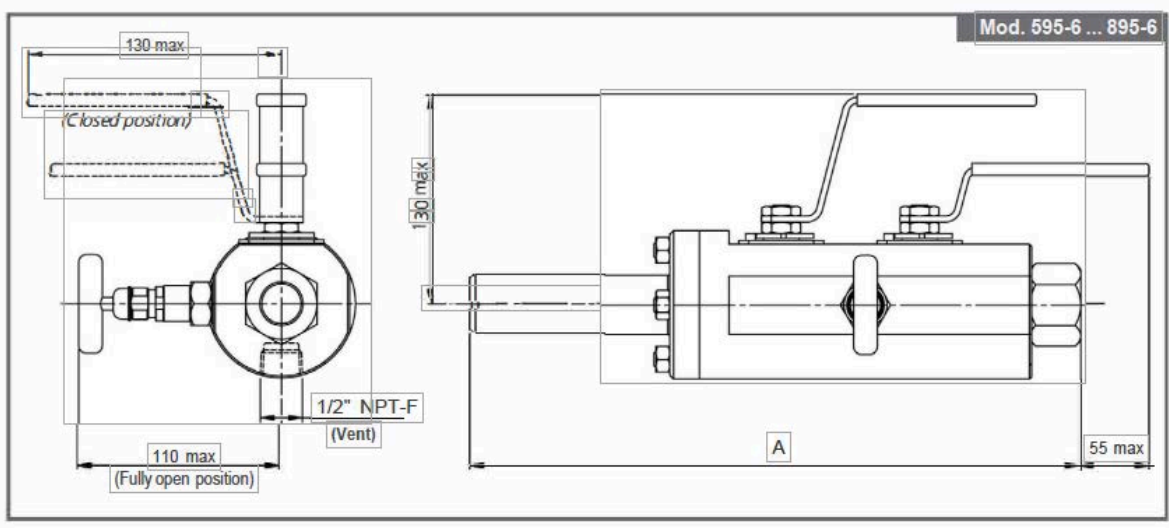
BW Schedule	
BW 40	
BW 80	
BW 160	
BW XXS	

SW Schedule	
SW 40	
SW 80	
SW 160	
SW XXS	

Connections OUT	
D	1/2" FLANGE
E	3/4" FLANGE
F	1" FLANGE
G	1 1/2" FLANGE
H	2" FLANGE

Connections	
2	SW x SW
3	BW x BW
4	PE x FNPT
5	BW x FNPT
6	SW x FNPT

Body Materials/Wetted Materials	
C	C.S. A105
CN	A105 NORMALIZED
LF2	A350 LF2
LF6	A350 LF6
DL304	A479 304/304L
DL	A479 316/316L
DLF	A182 F316/316L
F51	A479 F51
F53	A479 F53
F55	A479 F55
C276	B574 HASTELLOY
M400	B164 MONEL
I625	B446 INCONEL 625
I825	B425 INCONEL 825
6MO	A479 6MO
904L	A479 904L
TN	TITANIUM B348



Dimensions are in "mm" for reference only, and may be changed without notice.

Mod. 595-6...895-6d Rev 2 - 04/2012

Options

-H	-L	-P					Availability			
							Needle Valves	Manifolds	Monoflanges	Ball Valves
A	Antitamper Actuator					✓	✓	✓	✓	
B	Bolted Bonnet					✓		✓	✓	
F	Oval Flange						✓			
G	Graphite seals					✓	✓	✓	✓	
H	Rating 10.000 PSI (²)					✓	✓			
K1	Mechanical Electrical Contact								✓	
K2	Magnetic Electrical Contact								✓	
KG	Graphite bonnet seals replacement kit					✓	✓	✓	✓	
KT	PTFE bonnet seals replacement kit					✓	✓	✓	✓	
L	Locking Device					✓		✓	✓	
O	Oxygen Service					✓	✓	✓	✓	
P	Padlock					✓		✓	✓	
Q	Quick Locking Device					✓	✓	✓	✓	
R	Swivelling Fitting					✓		✓	✓	
Y	Bonnet O.S.&Y.					✓		✓	✓	
TV	Painting Treatment					✓	✓	✓	✓	
TF	Phosphatization Treatment (¹)					✓	✓	✓	✓	
TZ	Zinc Plating Treatment (¹)					✓	✓	✓	✓	
U45-V	7/16" UNF L=45 mm screws and nuts kit (2 screws - 2 nuts) for 2 valves manifold						✓			
U75-2V	7/16" UNF L=75 mm screws and nuts kit (2 screws - 2 nuts) for 2 valves manifold						✓			
U45-3/5V	7/16" UNF L=45 mm screws and nuts kit (4 screws - 4 nuts) for 3 and 5 valves manifold						✓			
U75-3/5V	7/16" UNF L=75 mm screws and nuts kit (4 screws - 4 nuts) for 3 and 5 valves manifold						✓			
W	2" Pipe bracket						✓			
AT	Atex Version					✓	✓	✓	✓	
GR	Gost R Version					✓	✓	✓	✓	
FS	Fire Safe Version					✓	✓	✓	✓	
TA	Fugitive Emission TA-LUFT Version					✓	✓	✓	✓	
CRN	CURRENT CRN COMPLIANCE FOR 10 CANADIAN PROVINCES					✓	✓	✓	✓	

(1) For carbon steel versions only.

(2) For flanged, BW, SW versions operating limits as for reference rules.

X = NOT CODED OPTION

For DB, SBB, DBB valves, repeat option code as many times as requested.
 If you don't find options you need, please feel free to contact our sales Department
 Ex: mod. 739R-DD-S-T-A-A-A = 2 Block + 1 Bleed bonnet Anti-tamper

Options

-H	-L	-P					Availability			
							Needle Valves	Manifolds	Monoflanges	Ball Valves
IDX	Vent Bottom Right							✓		
ISX	Vent Bottom Left							✓	✓	✓
M	Monel Trim						✓	✓	✓	✓
SPC 1	Special Marking - See descriptor						✓	✓	✓	✓
DIN 7756	Inlet Special Insert 1/8" NPT-M x DIN 7756 VG 8						✓	✓	✓	✓
2.0515 /DN15	Special DN15 marking requirement						✓	✓	✓	✓
3-G-GR -CUTR	GOST & CU-TR Certificate						✓	✓	✓	✓
X	Not Coded Option						✓	✓	✓	✓
?	?						✓	✓	✓	✓
?	?						✓	✓	✓	✓
?	?						✓	✓	✓	✓
?	?						✓	✓	✓	✓
?	?						✓	✓	✓	✓
?	?						✓	✓	✓	✓
?	?						✓	✓	✓	✓
?	?						✓	✓	✓	✓
?	?						✓	✓	✓	✓
?	?						✓	✓	✓	✓
?	?						✓	✓	✓	✓
?	?						✓	✓	✓	✓
?	?						✓	✓	✓	✓
?	?						✓	✓	✓	✓
?	?						✓	✓	✓	✓
?	?						✓	✓	✓	✓
?	?						✓	✓	✓	✓
?	?						✓	✓	✓	✓
?	?						✓	✓	✓	✓
?	?						✓	✓	✓	✓
?	?						✓	✓	✓	✓
?	?						✓	✓	✓	✓
?	?						✓	✓	✓	✓

(1) For carbon steel versions only.

(2) For flanged, BW, SW versions operating limits as for reference rules.

For DB, SBB, DBB valves, repeat option code as many times as requested.
 If you don't find options you need, please feel free to contact our sales Department
 Ex: mod. 739R-DD-S-T-A-A-A = 2 Block + 1 Bleed bonnet Anti-tamper