

SB-DB-SBB-DBB Needle Type - Flanged-Flanged

Mod. 138 ... 198

Applications:

- Pressure instruments isolation and vent (gauges, switches, transmitters, etc.).
- Used as alternative to conventional manifold to permit a more compact installation, where presence of vibration is of concern.

Connections:

- Flanged-Flanged

Rating:

- To flange rating

Seals:

- Standard: PTFE ($T \leq 200^\circ \text{C}$)
- Optional: Graphite ($T > 200^\circ \text{C}$)

Features:

- Non rotating trim
- Bonnet locking pin
- Dust cup
- Reduction of time and installation cost

Inlet / Outlet		Dimensions		Weight	Inlet / Outlet		Dimensions		Weight
DN	Rating	A (mm)	Ø B (mm)	Kg	DN	Rating	A (mm)	Ø B (mm)	Kg
1/2"	150 *	192	90	6.0	1"	900-1500	242	150	13.0
1/2"	300	206	95	6.5	1"	2500	254	160	16.0
1/2"	600	222	95	6.5	1 1/2"	150	216	125	8.5
1/2"	900-1500	228	120	9.0	1 1/2"	300	222	155	11.0
1/2"	2500	244	135	12.0	1 1/2"	600	238	155	11.5
3/4"	150 *	196	100	6.5	1 1/2"	900-1500	248	180	18.0
3/4"	300	212	115	7.5	1 1/2"	2500	272	205	28.5
3/4"	600	226	115	7.5	2"	150	218	150	10.5
3/4"	900-1500	234	130	10.5	2"	300	218	165	12.5
3/4"	2500	248	140	13.0	2"	600	238	165	13.5
1"	150	208	110	7.0	2"	900-1500	264	215	27.0
1"	300	216	125	8.5	2"	2500	290	235	40.5
1"	600	230	125	8.5	* only RF version				

Ordering Information

Needle Type		
SB	13	Single Block
DB	14	Double Block
SBB	18	Single Block&Bleed
DBB	19	Double Block&Bleed

Connections IN-OUT	
D	1/2" FLANGE
E	3/4" FLANGE
F	1" FLANGE
H	1 1/2" FLANGE
J	2" FLANGE

*Vent (only for SBB-DBB)	
B	1/4" NPT-F
D	1/2" NPT-F (std)

Seal Material	
T	PTFE (std)
G	Graphite
X	On demand

Options See Table

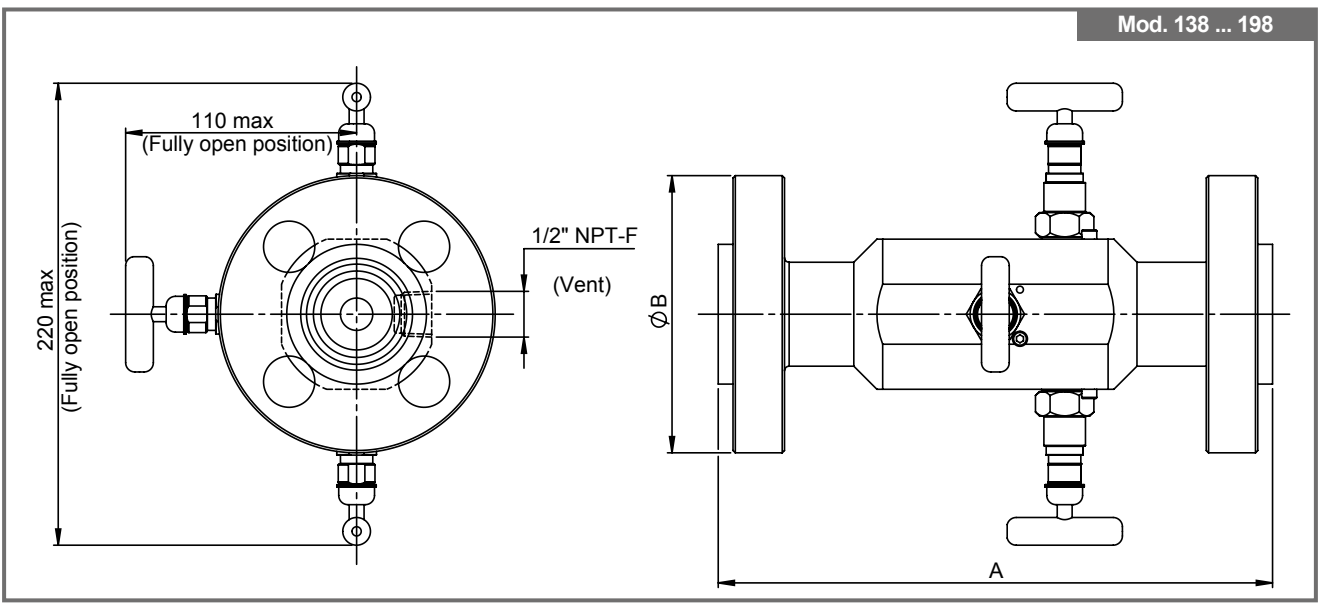


* NPT standard
Add:
R = BSPT thread
G = BSPP thread
Ex: DR = 1/2" BSPT

Connections	
8	Flange - Flange

Flange	
150 RF	
300 RF	
600 RF	
900/1500 RF	
2500 RF	
150 RTJ	
300 RTJ	
600 RTJ	
900/1500 RTJ	
2500 RTJ	

Materials	
L	S.S. 316L
DL	S.S. 316 / 316L (Dual grade)
N	S.S. 316 Nace
C	C.S. A 105
LF2	C.S. A 350 LF2
D	Duplex F51
SD	Super-duplex
M	Monel 400
X	On demand



Mod. 138 ... 198

Mod. 138 ... 198 - Rev. 2 - 04/2012

Dimensions are in "mm" for reference only, and may be changed without notice.

Options

-H	-L	-P					Availability			
							Needle Valves	Manifolds	Monoflanges	Ball Valves
A	Antitamper Actuator					✓	✓	✓	✓	
B	Bolted Bonnet					✓		✓	✓	
F	Oval Flange						✓			
G	Graphite seals					✓	✓	✓	✓	
H	Rating 10.000 PSI (²)					✓	✓			
K1	Mechanical Electrical Contact								✓	
K2	Magnetic Electrical Contact								✓	
KG	Graphite bonnet seals replacement kit					✓	✓	✓	✓	
KT	PTFE bonnet seals replacement kit					✓	✓	✓	✓	
L	Locking Device					✓		✓	✓	
O	Oxygen Service					✓	✓	✓	✓	
P	Padlock					✓		✓	✓	
Q	Quick Locking Device					✓	✓	✓	✓	
R	Swivelling Fitting					✓		✓	✓	
Y	Bonnet O.S.&Y.					✓		✓	✓	
TV	Painting Treatment					✓	✓	✓	✓	
TF	Phosphatization Treatment (¹)					✓	✓	✓	✓	
TZ	Zinc Plating Treatment (¹)					✓	✓	✓	✓	
U45-V	7/16" UNF L=45 mm screws and nuts kit (2 screws - 2 nuts) for 2 valves manifold						✓			
U75-2V	7/16" UNF L=75 mm screws and nuts kit (2 screws - 2 nuts) for 2 valves manifold						✓			
U45-3/5V	7/16" UNF L=45 mm screws and nuts kit (4 screws - 4 nuts) for 3 and 5 valves manifold						✓			
U75-3/5V	7/16" UNF L=75 mm screws and nuts kit (4 screws - 4 nuts) for 3 and 5 valves manifold						✓			
W	2" Pipe bracket						✓			
AT	Atex Version					✓	✓	✓	✓	
GR	Gost R Version					✓	✓	✓	✓	
FS	Fire Safe Version					✓	✓	✓	✓	
TA	Fugitive Emission TA-LUFT Version					✓	✓	✓	✓	
CRN	CURRENT CRN COMPLIANCE FOR 10 CANADIAN PROVINCES					✓	✓	✓	✓	

(1) For carbon steel versions only.

(2) For flanged, BW, SW versions operating limits as for reference rules.

X = NOT CODED OPTION

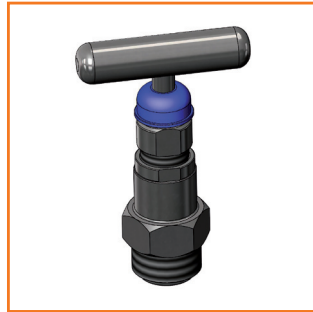
For DB, SBB, DBB valves, repeat option code as many times as requested.
 If you don't find options you need, please feel free to contact our sales Department
 Ex: mod. 739R-DD-S-T-A-A-A = 2 Block + 1 Bleed bonnet Anti-tamper

Available Bonnet Styles

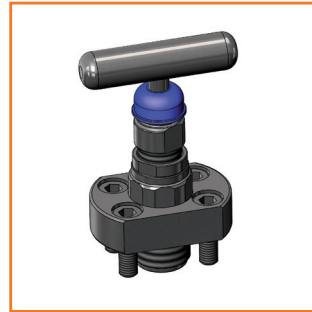
S.S. Dust Cap Bonnet



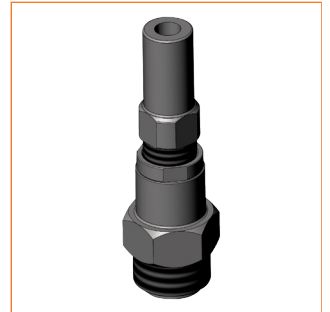
Original Bonnet



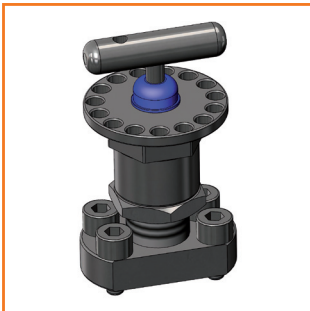
Bolted Bonnet



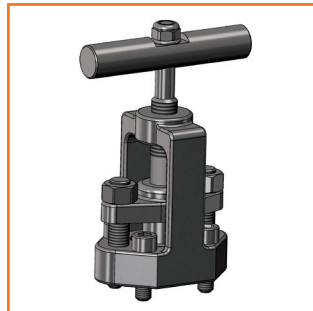
Anti-Tamper Bonnet



O.S.&Y. Bonnet
with locking device



O.S.&Y. Bonnet



O.S.&Y. Bonnet



Standard Bonnet with
locking device

