

SB-DB-SBB-DBB Needle Type - Flanged-Threaded

Mod. 137 ... 197

Applications:

- Pressure instruments isolation and vent (gauges, switches, transmitters, etc.).
- Used as alternative to conventional manifold to permit a more compact installation, where presence of vibration is of concern.

Connections:

- Flanged-Threaded to ANSI-ASME B1.20.1, ISO 228 - ISO 7/1

Rating:

- To flange rating

Seals:

- Standard: PTFE ($T \leq 200^{\circ} C$)
- Optional: Graphite ($T > 200^{\circ} C$)

Features:

- Non rotating trim
- Bonnet locking pin
- Dust cup
- Reduction of time and installation cost

Flanged Inlet		Threaded Outlet	Dimensions		Weight	Flanged Inlet		Threaded Outlet	Dimensions		Weight
DN	Rating	NPT - F	A (mm)	Ø B (mm)	Kg	DN	Rating	NPT - F	A (mm)	Ø B (mm)	Kg
1/2"	*150	1/2" std	159	90	4.5	1"	900-1500	1/2" std	182	150	8.0
1/2"	300	1/2" std	161	95	5.0	1"	2500	1/2" std	189	160	10.0
1/2"	600	1/2" std	168	95	5.0	1 1/2"	150	1/2" std	165	125	6.0
1/2"	900-1500	1/2" std	176	120	6.0	1 1/2"	300	1/2" std	168	155	7.5
1/2"	2500	1/2" std	184	135	7.5	1 1/2"	600	1/2" std	176	155	7.5
3/4"	*150	1/2" std	160	100	5.0	1 1/2"	900-1500	1/2" std	187	180	10.5
3/4"	300	1/2" std	163	115	5.5	1 1/2"	2500	1/2" std	198	205	16.0
3/4"	600	1/2" std	170	115	5.5	2"	150	1/2" std	166	150	7.0
3/4"	900-1500	1/2" std	179	130	7.0	2"	300	1/2" std	170	165	8.0
3/4"	2500	1/2" std	186	140	8.0	2"	600	1/2" std	179	165	8.5
1"	150	1/2" std	162	110	5.0	2"	900-1500	1/2" std	192	215	15.5
1"	300	1/2" std	165	125	6.0	2"	2500	1/2" std	205	235	22.0
1"	600	1/2" std	171	125	6.0	* only RF version					

Ordering Information

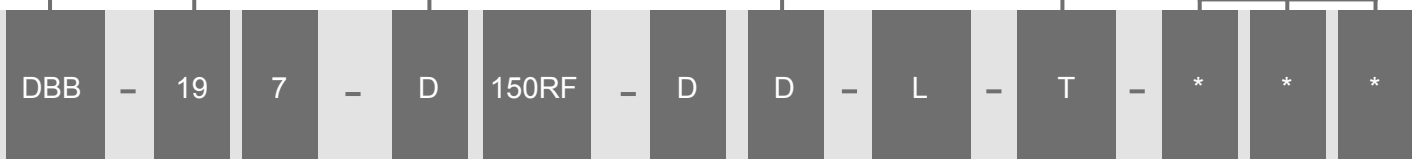
Needle Type		
SB	13	Single Block
DB	14	Double Block
SBB	18	Single Block & Bleed
DBB	19	Double Block & Bleed

Connections IN	
D	1/2" FLANGE
E	3/4" FLANGE
F	1" FLANGE
H	1 1/2" FLANGE
J	2" FLANGE

*Vent (only for SBB-DBB)	
B	1/4" NPT-F
D	1/2" NPT-F (std)

Seal Material	
T	PTFE (std)
G	Graphite
X	On demand

Options See Table



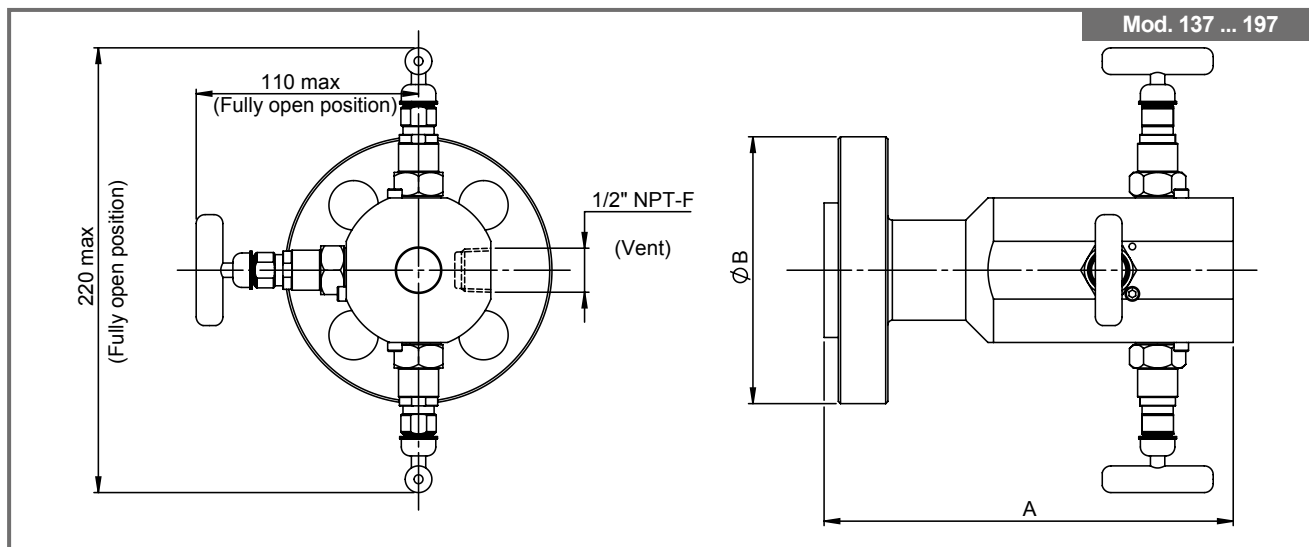
* NPT standard
Add:
R = BSPT thread
G = BSPP thread
Ex: DR = 1/2" BSPT

Flange	
150 RF	
300 RF	
600 RF	
900/1500 RF	
2500 RF	
150 RTJ	
300 RTJ	
600 RTJ	
900/1500 RTJ	
2500 RTJ	

Materials	
L	S.S. 316L
DL	S.S. 316 / 316L (Dual grade)
N	S.S. 316 Nace
C	C.S. A 105
LF2	C.S. A 350 LF2
D	Duplex F51
SD	Superduplex
M	Monel 400
X	On demand

Connections	
7	Flange - Thread

* Connections OUT	
B	1/4" NPT-F
D	1/2" NPT-F (std)



Options

-H	-L	-P					Availability			
							Needle Valves	Manifolds	Monoflanges	Ball Valves
A	Antitamper Actuator					✓	✓	✓	✓	
B	Bolted Bonnet					✓		✓	✓	
F	Oval Flange						✓			
G	Graphite seals					✓	✓	✓	✓	
H	Rating 10.000 PSI (²)					✓	✓			
K1	Mechanical Electrical Contact								✓	
K2	Magnetic Electrical Contact								✓	
KG	Graphite bonnet seals replacement kit					✓	✓	✓	✓	
KT	PTFE bonnet seals replacement kit					✓	✓	✓	✓	
L	Locking Device					✓		✓	✓	
O	Oxygen Service					✓	✓	✓	✓	
P	Padlock					✓		✓	✓	
Q	Quick Locking Device					✓	✓	✓	✓	
R	Swivelling Fitting					✓		✓	✓	
Y	Bonnet O.S.&Y.					✓		✓	✓	
TV	Painting Treatment					✓	✓	✓	✓	
TF	Phosphatization Treatment (¹)					✓	✓	✓	✓	
TZ	Zinc Plating Treatment (¹)					✓	✓	✓	✓	
U45-V	7/16" UNF L=45 mm screws and nuts kit (2 screws - 2 nuts) for 2 valves manifold						✓			
U75-2V	7/16" UNF L=75 mm screws and nuts kit (2 screws - 2 nuts) for 2 valves manifold						✓			
U45-3/5V	7/16" UNF L=45 mm screws and nuts kit (4 screws - 4 nuts) for 3 and 5 valves manifold						✓			
U75-3/5V	7/16" UNF L=75 mm screws and nuts kit (4 screws - 4 nuts) for 3 and 5 valves manifold						✓			
W	2" Pipe bracket						✓			
AT	Atex Version					✓	✓	✓	✓	
GR	Gost R Version					✓	✓	✓	✓	
FS	Fire Safe Version					✓	✓	✓	✓	
TA	Fugitive Emission TA-LUFT Version					✓	✓	✓	✓	
CRN	CURRENT CRN COMPLIANCE FOR 10 CANADIAN PROVINCES					✓	✓	✓	✓	

(1) For carbon steel versions only.

(2) For flanged, BW, SW versions operating limits as for reference rules.

X = NOT CODED OPTION

For DB, SBB, DBB valves, repeat option code as many times as requested.
 If you don't find options you need, please feel free to contact our sales Department
 Ex: mod. 739R-DD-S-T-A-A-A = 2 Block + 1 Bleed bonnet Anti-tamper

Options

-H	-L	-P						Availability			
								Needle Valves	Manifolds	Monoflanges	Ball Valves
IDX	Vent Bottom Right								✓		
ISX	Vent Bottom Left								✓	✓	✓
M	Monel Trim							✓	✓	✓	✓
SPC 1	Special Marking - See descriptor							✓	✓	✓	✓
DIN 7756	Inlet Special Insert 1/8" NPT-M x DIN 7756 VG 8							✓	✓	✓	✓
2.0515 /DN15	Special DN15 marking requirement							✓	✓	✓	✓
3-G-GR -CUTR	GOST & CU-TR Certificate							✓	✓	✓	✓
X	Not Coded Option							✓	✓	✓	✓
?	?							✓	✓	✓	✓
?	?							✓	✓	✓	✓
?	?							✓	✓	✓	✓
?	?							✓	✓	✓	✓
?	?							✓	✓	✓	✓
?	?							✓	✓	✓	✓
?	?							✓	✓	✓	✓
?	?							✓	✓	✓	✓
?	?							✓	✓	✓	✓
?	?							✓	✓	✓	✓
?	?							✓	✓	✓	✓
?	?							✓	✓	✓	✓
?	?							✓	✓	✓	✓
?	?							✓	✓	✓	✓
?	?							✓	✓	✓	✓
?	?							✓	✓	✓	✓
?	?							✓	✓	✓	✓
?	?							✓	✓	✓	✓
?	?							✓	✓	✓	✓
?	?							✓	✓	✓	✓
?	?							✓	✓	✓	✓
?	?							✓	✓	✓	✓

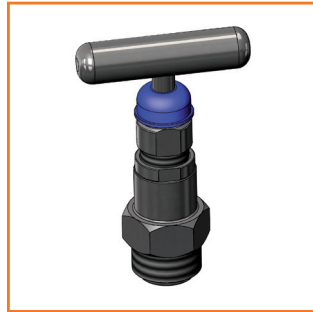
(1) For carbon steel versions only.
 (2) For flanged, BW, SW versions operating limits as for reference rules.
 For DB, SBB, DBB valves, repeat option code as many times as requested.
 If you don't find options you need, please feel free to contact our sales Department
 Ex: mod. 739R-DD-S-T-A-A-A = 2 Block + 1 Bleed bonnet Anti-tamper

Available Bonnet Styles

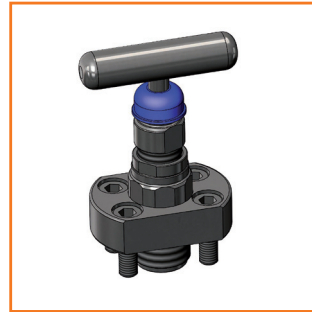
S.S. Dust Cap Bonnet



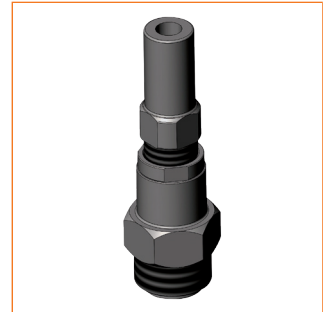
Original Bonnet



Bolted Bonnet



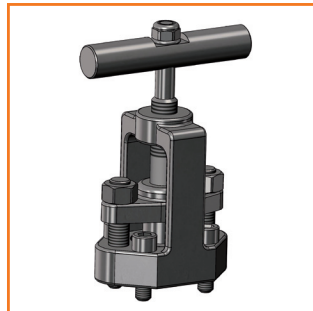
Anti-Tamper Bonnet



O.S.&Y. Bonnet
with locking device



O.S.&Y. Bonnet



O.S.&Y. Bonnet



Standard Bonnet with
locking device

