

SB-DB-SBB-DBB Needle Type - Threaded

Mod. 130-1 ... 190-1

Applications:

- Pressure instruments isolation and vent (gauges, switches, transmitters, etc.).
- Used as alternative to conventional manifold to permit a more compact installation, where presence of vibration is of concern.

Connections:

- Threaded to ANSI-ASME B1.20.1, ISO 228 - ISO 7/1

Rating:

- Standard: 6,000 PSI (420 bar) Optional: 10,000 PSI (700 bar)

Seals:

- Standard: PTFE ($T \leq 200^{\circ} C$) Optional: Graphite ($T > 200^{\circ} C$)

Features:

- Non rotating trim
- Bonnet locking pin
- Dust cup
- Reduction of time and installation cost

Inlet	Outlet	Dimensions		Weight
NPT	NPT - F	A max (mm)	Ø B max (mm)	Kg
1/4" NPT-F / M	1/4"	120	50	2.0
1/2" NPT-F / M	1/2"	120	70	4.0
3/4" NPT-F / M	3/4"	130	70	4.5
1" NPT-F / M	1"	150	70	5.0

Ordering Information

Needle Type		
SB	13	Single Block
DB	14	Double Block
SBB	18	Single Block&Bleed
DBB	19	Double Block&Bleed

*Connections IN	
B	1/4" NPT
D	1/2" NPT
E	3/4" NPT
F	1" NPT

*Vent (only for SBB-DBB)	
B	1/4" NPT-F
D	1/2" NPT-F

Seal Material	
T	PTFE (std)
G	Graphite
X	On demand



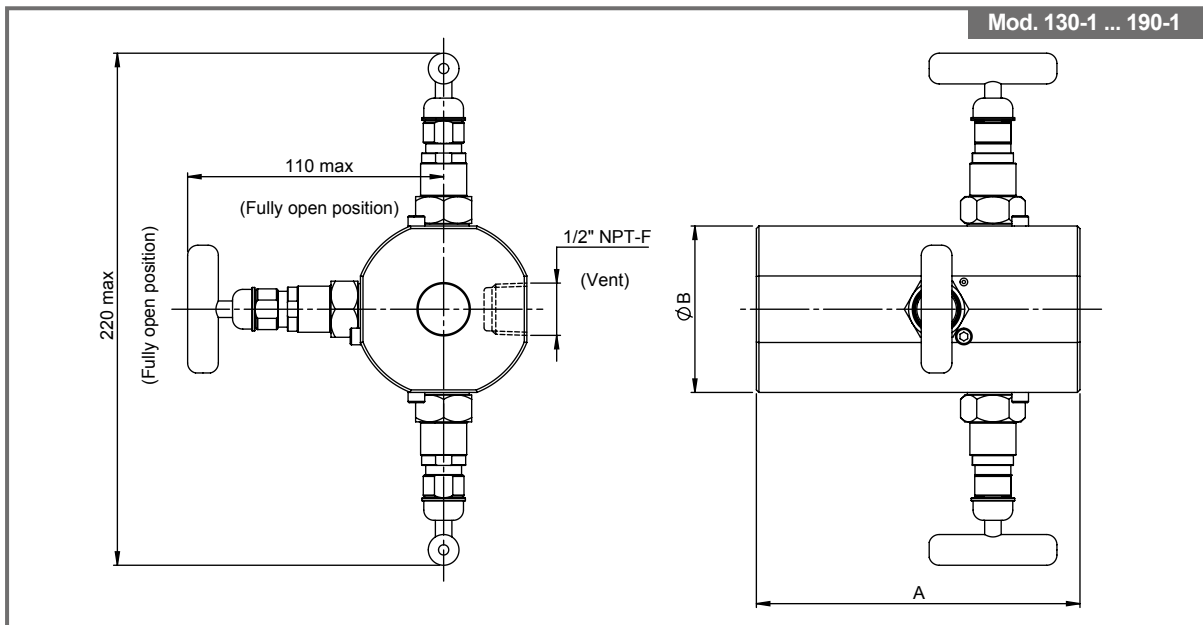
* NPT standard
Add:
R = BSPT thread
G = BSPP thread
Ex: DR = 1/2" BSPT

Connections	
0	Thread F x F
1	Thread M x F

*Connections OUT	
B	1/4" NPT-F
D	1/2" NPT-F
E	3/4" NPT-F
F	1" NPT-F

Materials	
L	S.S. 316L
DL	S.S. 316 / 316L (Dual grade)
N	S.S. 316 Nace
C	C.S. A 105
LF2	C.S. A 350 LF2
D	Duplex F51
SD	Super-duplex
M	Monel 400
X	On demand

Options See Table



Options

-H	-L	-P					Availability			
							Needle Valves	Manifolds	Monoflanges	Ball Valves
A	Antitamper Actuator					✓	✓	✓	✓	
B	Bolted Bonnet					✓		✓	✓	
F	Oval Flange						✓			
G	Graphite seals					✓	✓	✓	✓	
H	Rating 10.000 PSI (²)					✓	✓			
K1	Mechanical Electrical Contact								✓	
K2	Magnetic Electrical Contact								✓	
KG	Graphite bonnet seals replacement kit					✓	✓	✓	✓	
KT	PTFE bonnet seals replacement kit					✓	✓	✓	✓	
L	Locking Device					✓		✓	✓	
O	Oxygen Service					✓	✓	✓	✓	
P	Padlock					✓		✓	✓	
Q	Quick Locking Device					✓	✓	✓	✓	
R	Swivelling Fitting					✓		✓	✓	
Y	Bonnet O.S.&Y.					✓		✓	✓	
TV	Painting Treatment					✓	✓	✓	✓	
TF	Phosphatization Treatment (¹)					✓	✓	✓	✓	
TZ	Zinc Plating Treatment (¹)					✓	✓	✓	✓	
U45-V	7/16" UNF L=45 mm screws and nuts kit (2 screws - 2 nuts) for 2 valves manifold						✓			
U75-2V	7/16" UNF L=75 mm screws and nuts kit (2 screws - 2 nuts) for 2 valves manifold						✓			
U45-3/5V	7/16" UNF L=45 mm screws and nuts kit (4 screws - 4 nuts) for 3 and 5 valves manifold						✓			
U75-3/5V	7/16" UNF L=75 mm screws and nuts kit (4 screws - 4 nuts) for 3 and 5 valves manifold						✓			
W	2" Pipe bracket						✓			
AT	Atex Version					✓	✓	✓	✓	
GR	Gost R Version					✓	✓	✓	✓	
FS	Fire Safe Version					✓	✓	✓	✓	
TA	Fugitive Emission TA-LUFT Version					✓	✓	✓	✓	
CRN	CURRENT CRN COMPLIANCE FOR 10 CANADIAN PROVINCES					✓	✓	✓	✓	

(1) For carbon steel versions only.

(2) For flanged, BW, SW versions operating limits as for reference rules.

X = NOT CODED OPTION

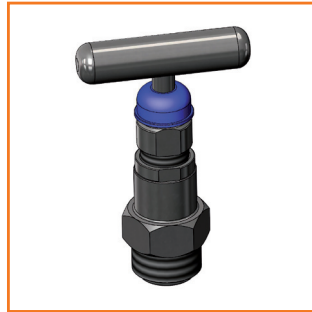
For DB, SBB, DBB valves, repeat option code as many times as requested.
 If you don't find options you need, please feel free to contact our sales Department
 Ex: mod. 739R-DD-S-T-A-A-A = 2 Block + 1 Bleed bonnet Anti-tamper

Available Bonnet Styles

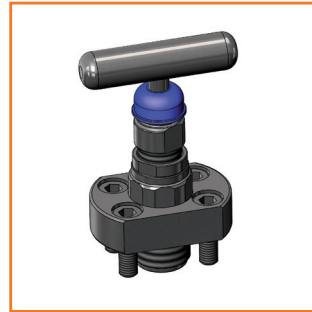
S.S. Dust Cap Bonnet



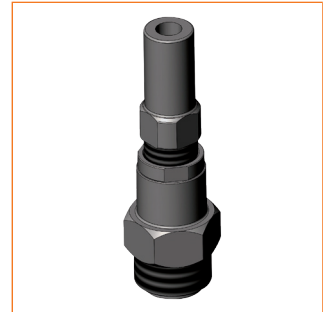
Original Bonnet



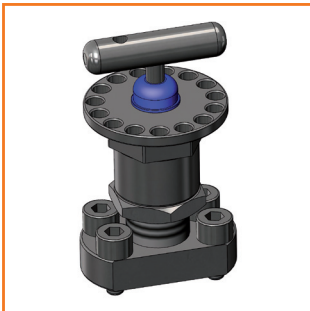
Bolted Bonnet



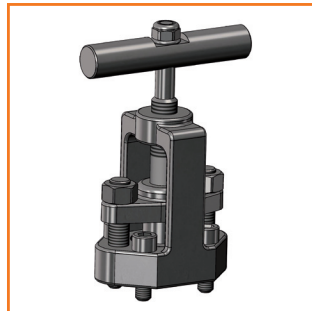
Anti-Tamper Bonnet



O.S.&Y. Bonnet
with locking device



O.S.&Y. Bonnet



O.S.&Y. Bonnet



Standard Bonnet with
locking device

