

SB-DB-SBB-DBB Needle Type - Welding BW&SW

Mod. 135-6 ... 195-6

Applications:

- Pressure instruments isolation and vent (gauges, switches, transmitters, etc.).
- Used as alternative to conventional manifold to permit a more compact installation, where presence of vibration is of concern.

Connections:

- Welding BW or SW
- Threaded to ANSI-ASME B1.20.1, ISO 228 - ISO 7/1

Rating:

- To pipe schedule rating

Seals:

- Standard: PTFE ($T \leq 200^{\circ} C$)
- Optional: Graphite ($T > 200^{\circ} C$)

Features:

- Non rotating trim
- Bonnet locking pin
- Dust cup
- Reduction of time and installation cost

Inlet	Outlet	Dimensions		Weight
		BW / SW	NPT - F	
1/4"	1/4" std	130	50	2.0
1/2"	1/2" std	130	70	3.5
3/4"	1/2" std	130	70	3.5
1"	1/2" std	150	70	4.0

Dimensions and weights in table are for reference only and may be changed without notice

Ordering Information

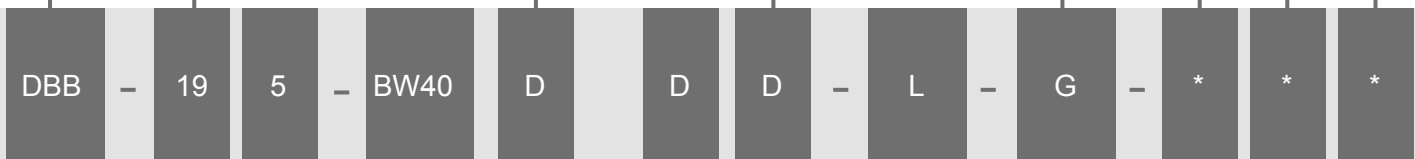
Needle Type		
SB	13	Single Block
DB	14	Double Block
SBB	18	Single Block&Bleed
DBB	19	Double Block&Bleed

Connections IN	
B	1/4"
D	1/2"
E	3/4"
F	1"
X	On demand

*Vent (only for SBB-DBB)	
B	1/4" NPT-F
D	1/2" NPT-F

Seal Material	
T	PTFE
G	Graphite (std)
X	On demand

Options See Table



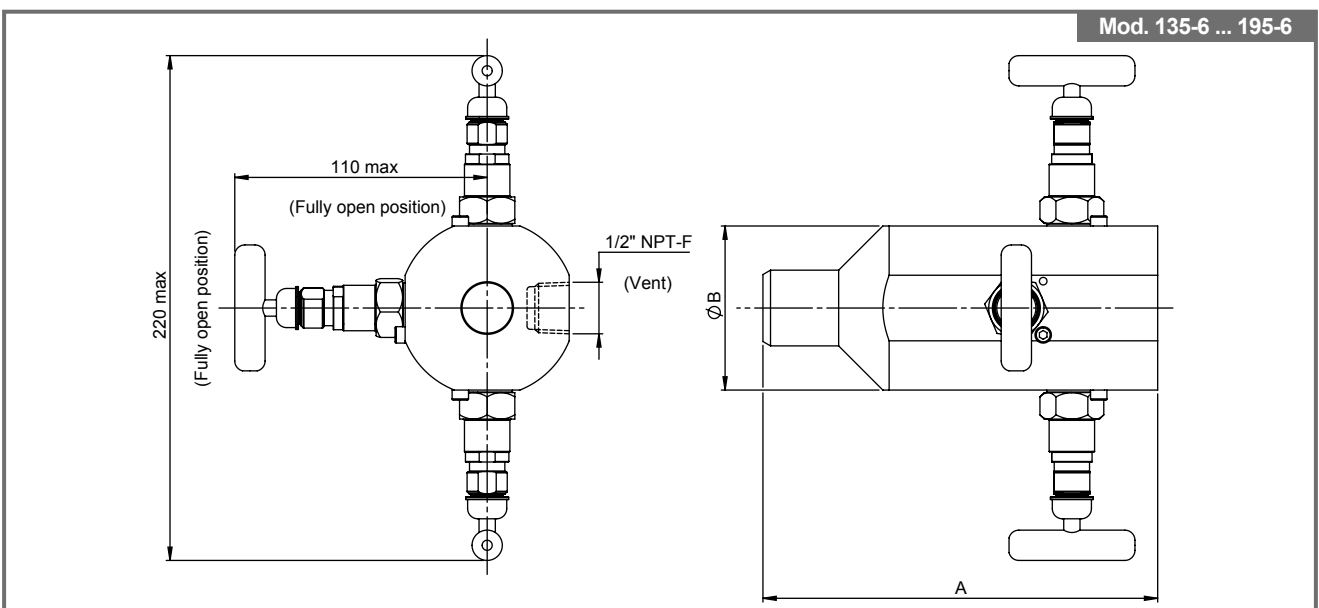
* NPT standard
Add:
R = BSPT thread
G = BSPP thread
Ex: DR = 1/2" BSPT

Schedule	
BW 40	
BW 80	
BW 160	
BW XXS	
SW 40	
SW 80	
SW 160	
SW XXS	

*Connections OUT	
B	1/4" NPT-F
D	1/2" NPT-F
E	3/4" NPT-F
F	1" NPT-F

Materials	
L	S.S. 316L
DL	S.S. 316 / 316L (Dual grade)
N	S.S. 316 Nace
C	C.S. A 105
LF2	C.S. A 350 LF2
D	Duplex F51
SD	Super-duplex
M	Monel 400
X	On demand

Connections	
5	BW x Thread F
6	SW x Thread F



Mod. 135-6 ... 195-6

Options

-H	-L	-P					Availability			
							Needle Valves	Manifolds	Monoflanges	Ball Valves
A	Antitamper Actuator					✓	✓	✓	✓	
B	Bolted Bonnet					✓		✓	✓	
F	Oval Flange						✓			
G	Graphite seals					✓	✓	✓	✓	
H	Rating 10.000 PSI (²)					✓	✓			
K1	Mechanical Electrical Contact								✓	
K2	Magnetic Electrical Contact								✓	
KG	Graphite bonnet seals replacement kit					✓	✓	✓	✓	
KT	PTFE bonnet seals replacement kit					✓	✓	✓	✓	
L	Locking Device					✓		✓	✓	
O	Oxygen Service					✓	✓	✓	✓	
P	Padlock					✓		✓	✓	
Q	Quick Locking Device					✓	✓	✓	✓	
R	Swivelling Fitting					✓		✓	✓	
Y	Bonnet O.S.&Y.					✓		✓	✓	
TV	Painting Treatment					✓	✓	✓	✓	
TF	Phosphatization Treatment (¹)					✓	✓	✓	✓	
TZ	Zinc Plating Treatment (¹)					✓	✓	✓	✓	
U45-V	7/16" UNF L=45 mm screws and nuts kit (2 screws - 2 nuts) for 2 valves manifold						✓			
U75-2V	7/16" UNF L=75 mm screws and nuts kit (2 screws - 2 nuts) for 2 valves manifold						✓			
U45-3/5V	7/16" UNF L=45 mm screws and nuts kit (4 screws - 4 nuts) for 3 and 5 valves manifold						✓			
U75-3/5V	7/16" UNF L=75 mm screws and nuts kit (4 screws - 4 nuts) for 3 and 5 valves manifold						✓			
W	2" Pipe bracket						✓			
AT	Atex Version					✓	✓	✓	✓	
GR	Gost R Version					✓	✓	✓	✓	
FS	Fire Safe Version					✓	✓	✓	✓	
TA	Fugitive Emission TA-LUFT Version					✓	✓	✓	✓	
CRN	CURRENT CRN COMPLIANCE FOR 10 CANADIAN PROVINCES					✓	✓	✓	✓	

(1) For carbon steel versions only.

(2) For flanged, BW, SW versions operating limits as for reference rules.

X = NOT CODED OPTION

For DB, SBB, DBB valves, repeat option code as many times as requested.
 If you don't find options you need, please feel free to contact our sales Department
 Ex: mod. 739R-DD-S-T-A-A-A = 2 Block + 1 Bleed bonnet Anti-tamper

Options

-H	-L	-P					Availability			
							Needle Valves	Manifolds	Monoflanges	Ball Valves
IDX	Vent Bottom Right							✓		
ISX	Vent Bottom Left							✓	✓	✓
M	Monel Trim						✓	✓	✓	✓
SPC 1	Special Marking - See descriptor						✓	✓	✓	✓
DIN 7756	Inlet Special Insert 1/8" NPT-M x DIN 7756 VG 8						✓	✓	✓	✓
2.0515 /DN15	Special DN15 marking requirement						✓	✓	✓	✓
3-G-GR -CUTR	GOST & CU-TR Certificate						✓	✓	✓	✓
X	Not Coded Option						✓	✓	✓	✓
?	?						✓	✓	✓	✓
?	?						✓	✓	✓	✓
?	?						✓	✓	✓	✓
?	?						✓	✓	✓	✓
?	?						✓	✓	✓	✓
?	?						✓	✓	✓	✓
?	?						✓	✓	✓	✓
?	?						✓	✓	✓	✓
?	?						✓	✓	✓	✓
?	?						✓	✓	✓	✓
?	?						✓	✓	✓	✓
?	?						✓	✓	✓	✓
?	?						✓	✓	✓	✓
?	?						✓	✓	✓	✓
?	?						✓	✓	✓	✓
?	?						✓	✓	✓	✓
?	?						✓	✓	✓	✓
?	?						✓	✓	✓	✓
?	?						✓	✓	✓	✓
?	?						✓	✓	✓	✓
?	?						✓	✓	✓	✓
?	?						✓	✓	✓	✓
?	?						✓	✓	✓	✓

(1) For carbon steel versions only.

(2) For flanged, BW, SW versions operating limits as for reference rules.

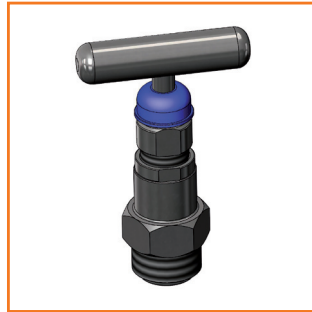
For DB, SBB, DBB valves, repeat option code as many times as requested.
If you don't find options you need, please feel free to contact our sales Department
Ex: mod. 739R-DD-S-T-A-A-A = 2 Block + 1 Bleed bonnet Anti-tamper

Available Bonnet Styles

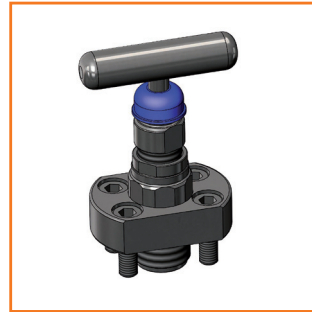
S.S. Dust Cap Bonnet



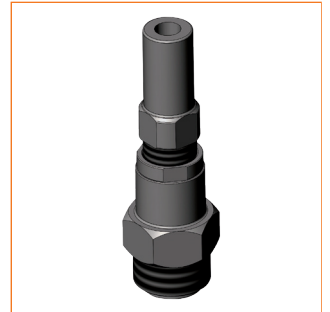
Original Bonnet



Bolted Bonnet



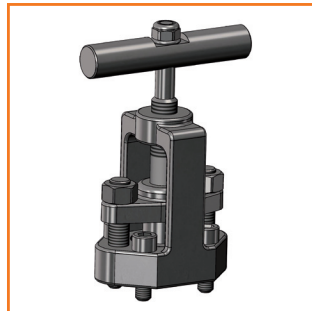
Anti-Tamper Bonnet



O.S.&Y. Bonnet
with locking device



O.S.&Y. Bonnet



O.S.&Y. Bonnet



Standard Bonnet with
locking device

